

RICOH ST26 (A554) PARTS CATALOG

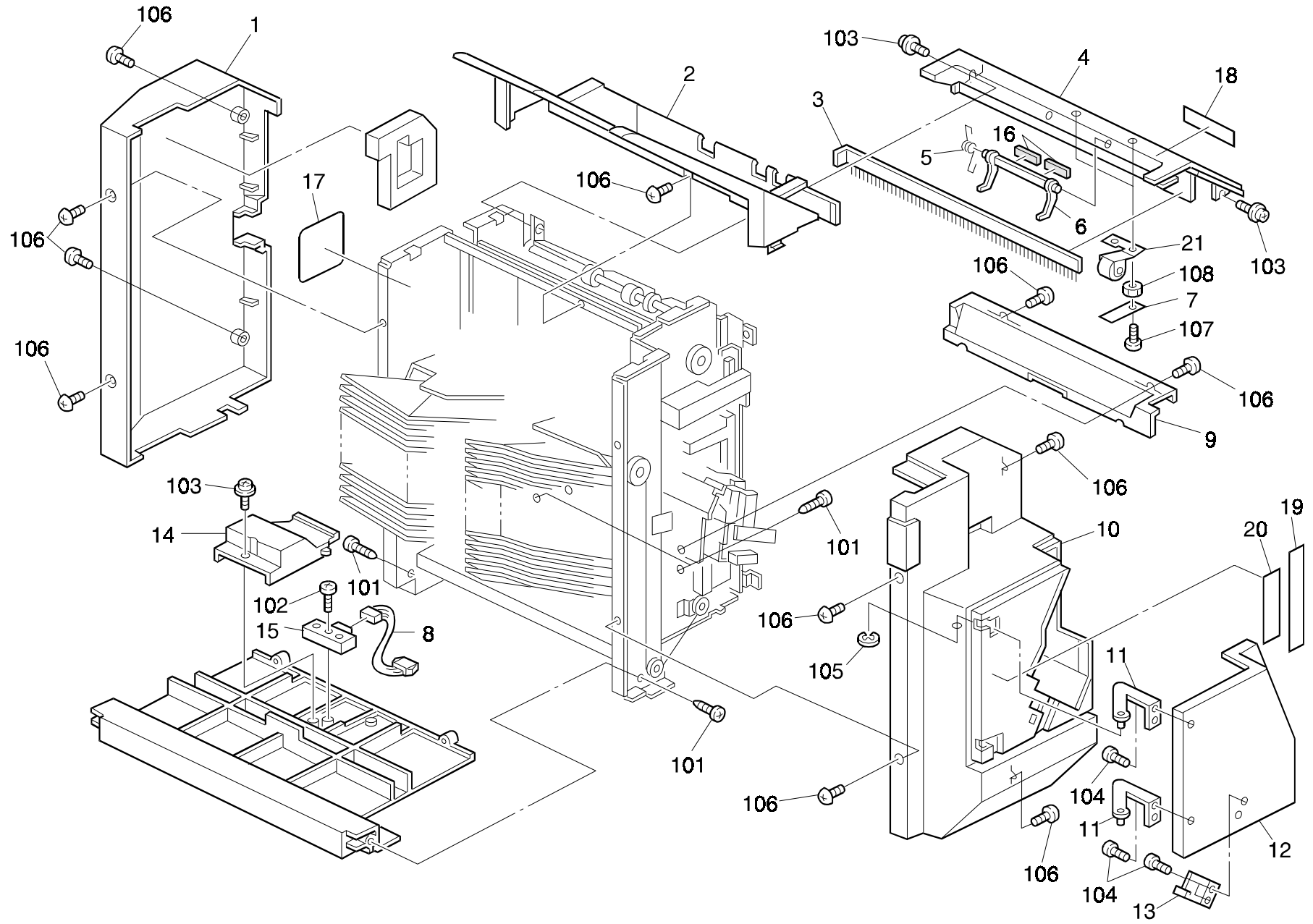
INTRODUCTION

This chapter gives the numbers and names of parts in this machine.

INDEX to PARTS CATALOG

1.Exterior (A554).....	2
2.Staple Unit (A554).....	4
3.Vertical Transport 1 (A554).....	6
4.Vertical Transport 2 (A554).....	8
5.Drive And Electrical Section (A554).....	10
6.Tray Drive Section (A554).....	12
7.Copy Tray Unit (A554).....	14
8.Decal And Document (A554).....	16
PARTS INDEX.....	19

1. EXTERIOR (A554)

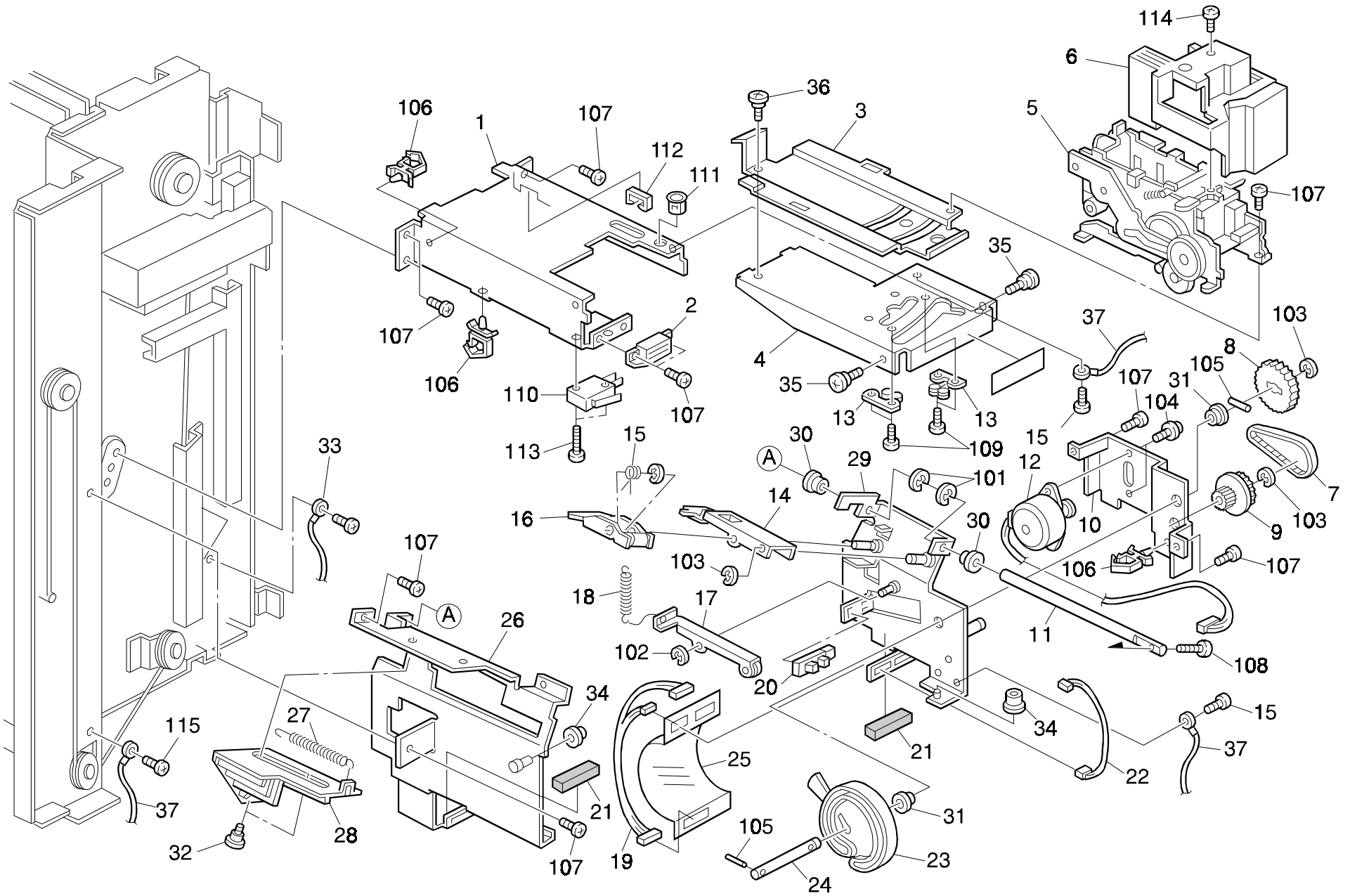


1.EXTERIOR (A554)

Index No.	Part No.	Description	Q'ty Per Assembly
1	A554 1541	Rear Cover	1
2	A554 1571	Exit Tray	1
3	AA12 0055	Antistatic Brush - 367mm	1
4	A554 1561	Upper Cover	1
5	AA06 6198	Proof Lever Spring	1
6	A374 2251	Proof Lever	1
7	A374 2141	Plate Spring - Upper Cover	2
8	A374 5250	Relay Harness - Bin Sensor	1
9	A554 1591	Lower Harness Cover	1
10	A554 1521	Front Cover	1
11	A374 1611	Hinge - Front Cover Cap	2
12	A554 1531	Front Cover Cap	1
13	A374 4556	Safety Switch Actuator	1
14	A374 3570	Sensor Cover	1
15	AW02 0025	Lower Bin/jam Sensor	1
16	A498 2266	Cushion - 8x40	2
17	A374 1855	Decal - Staple Position	1
18	A554 1861	Decal - Misfeed Removal	1
19	A554 1881	Decal - Staple Supply	1
20	A554 1871	Decal - Stapler Misfeed	1
21	A374 2147	Exit Roller Guide	2

Index No.	Part No.	Description	Q'ty Per Assembly
101	0434 0200B	Pan Head Self-tapping Screw - M4x20	
102	0313 0160B	Philips Pan Head Screw - M3x16	
103	0951 4008B	Philips Screw With Washer - M4x8	
104	0434 0060B	Philips Tapping Screw - M4x6	
105	0720 0040E	Retaining Ring - M4	
106	0344 0060F	Philips Truss Head Screw - M4x6	
107	0344 0080F	Philips Truss Head Screw - M4x8	
108	0710 0050B	Hexagon Nut - M5	

2. STAPLE UNIT (A554)

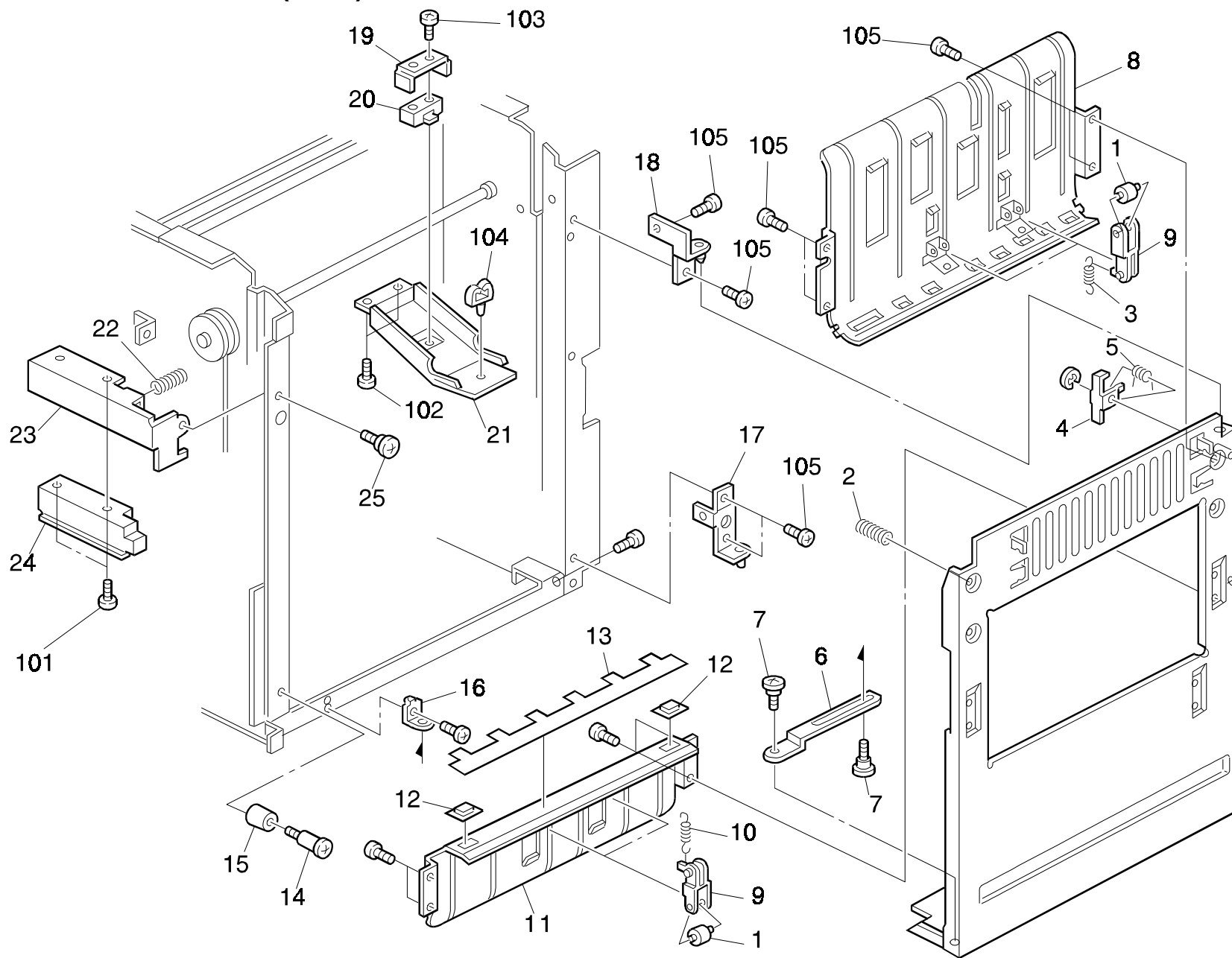


2.STAPLE UNIT (A554)


Index No.	Part No.	Description	Q'ty Per Assembly
1	A374 4521	Stapler Bracket	1
2	5054 0536	Magnet Catch Ass'y	1
3	A374 4531	Stapler Plate	1
4	A374 4522	Stapler Rotation Brackdt	1
5	AJ01 1005	Stapler Unit	1
6	A374 4551	Stapler Cover	1
7	AA04 3205	Timing Belt - 83XL	1
8	AB01 1142	Gear - 59Z	1
9	AB01 7275	Coupled Gear - 20/48Z	1
10	A374 4631	Small Side Plate	1
11	A374 4681	Gripper Shaft	1
12	AX04 0056	Stepping Motor - DC9.5V 9.0W	1
13	5409 1238	Rotary Catch	2
14	A374 4658	Upper Girpper Arm	1
15	AA06 6197	Lower Pawl Spring	1
16	A374 4656	Lower Gripper Arm	1
17	A374 4641	Cam Follower	1
18	AA06 0491	Upper Pawl Spring	1
19	A374 5215	Gripper Harness	1
20	AW02 0021	Photointerruptor - 175487-3	6
21	A374 4688	Gripper Connector Cushion	2
22	A374 5220	Gripper Relay Harness	1
23	A374 4667	Drive Cam	1
24	A374 4636	Drive Shaft	1
25	A374 4684	Connector Holder	1
26	A374 4611	Gripper Brackdt	1
27	AA06 0492	Jogger Stopper Spring	1
28	A374 4616	Jogger Stopper	1
29	A374 4621	Large Side Plate	1
30	AA08 2042	Bushing - 6x10x6.5mm	2
31	AA08 0072	Bushing - 6x10x3	2
32	5201 1796	Stepped Screw - M4	4
33	A554 5280	Grounding Harness	1
34	AA08 0074	Bushing - 4x6x6	2
35	5442 1659	Stepped Screw - M4	2

Index No.	Part No.	Description	Q'ty Per Assembly
36	AA14 3062	Shoulder Screw - M4	1
37	A374 5260	Grounding Harness	2
101	0720 0080E	Retaining Ring - M8	
102	0720 0025E	Retaining Ring - M2.5	
103	0720 0040E	Retaining Ring - M4	
104	0951 4006B	Philips Screw With Washer - M4x6	
105	0632 0140G	Parallel Pin	
106	1105 0310	Wire Clamp	
107	0434 0060B	Philips Tapping Screw - M4x6	
108	0313 0080B	Philips Pan Head Screw - M3x8	
109	0313 0050B	Philips Pan Head Screw - M3x5	
110	1204 2188	Interlock Switch	
111	1106 0241	Bushing - 6.7mm	
112	1105 0234	Clamp	
113	0313 0140B	Philips Pan Head Screw - M3x14	
114	0413 0082W	Tapping Screw - M3x8	
115	0950 4006B	Screw - M4X6	

3. VERTICAL TRANSPORT 1 (A554)

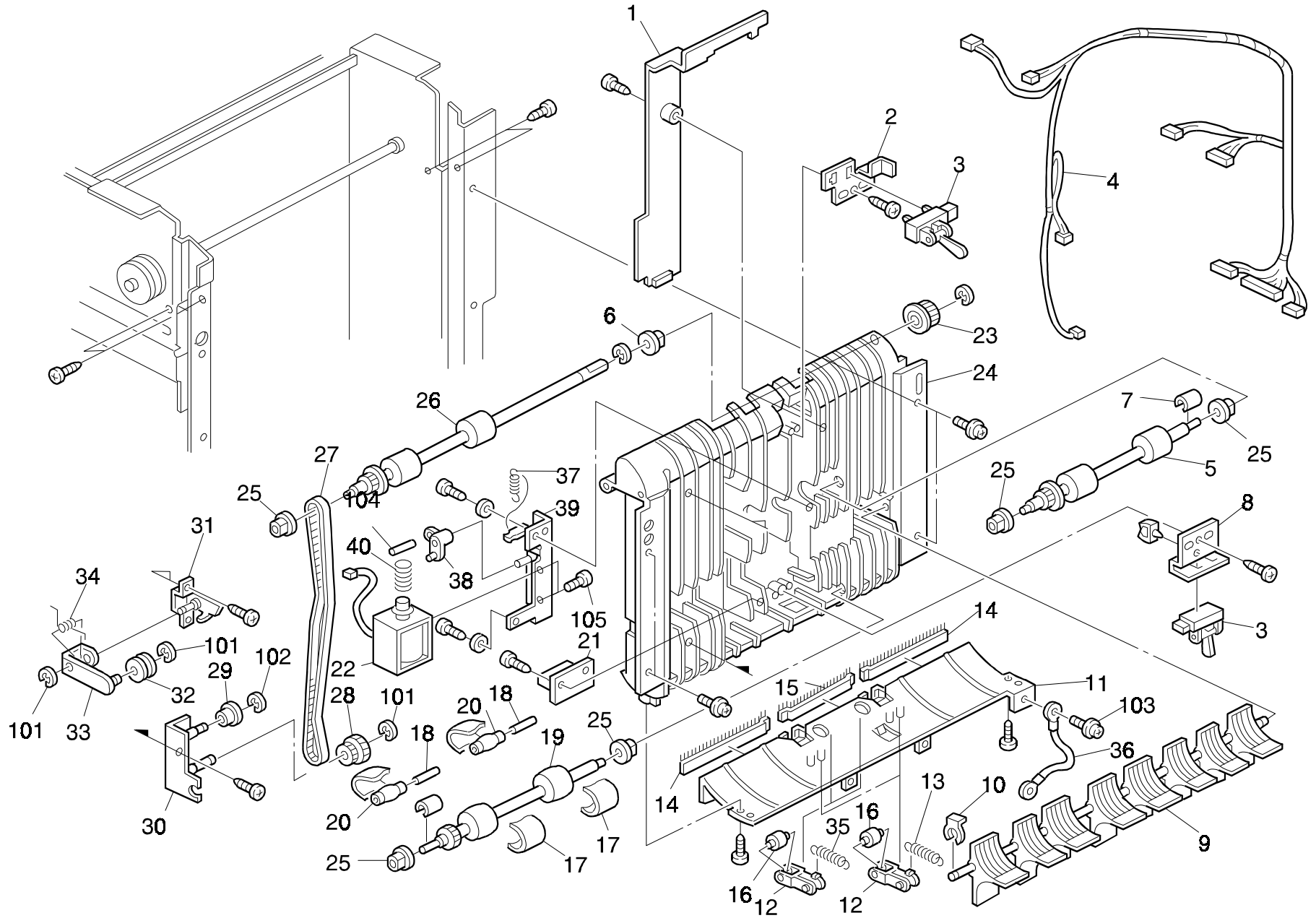


3.VERTICAL TRANSPORT 1 (A554)

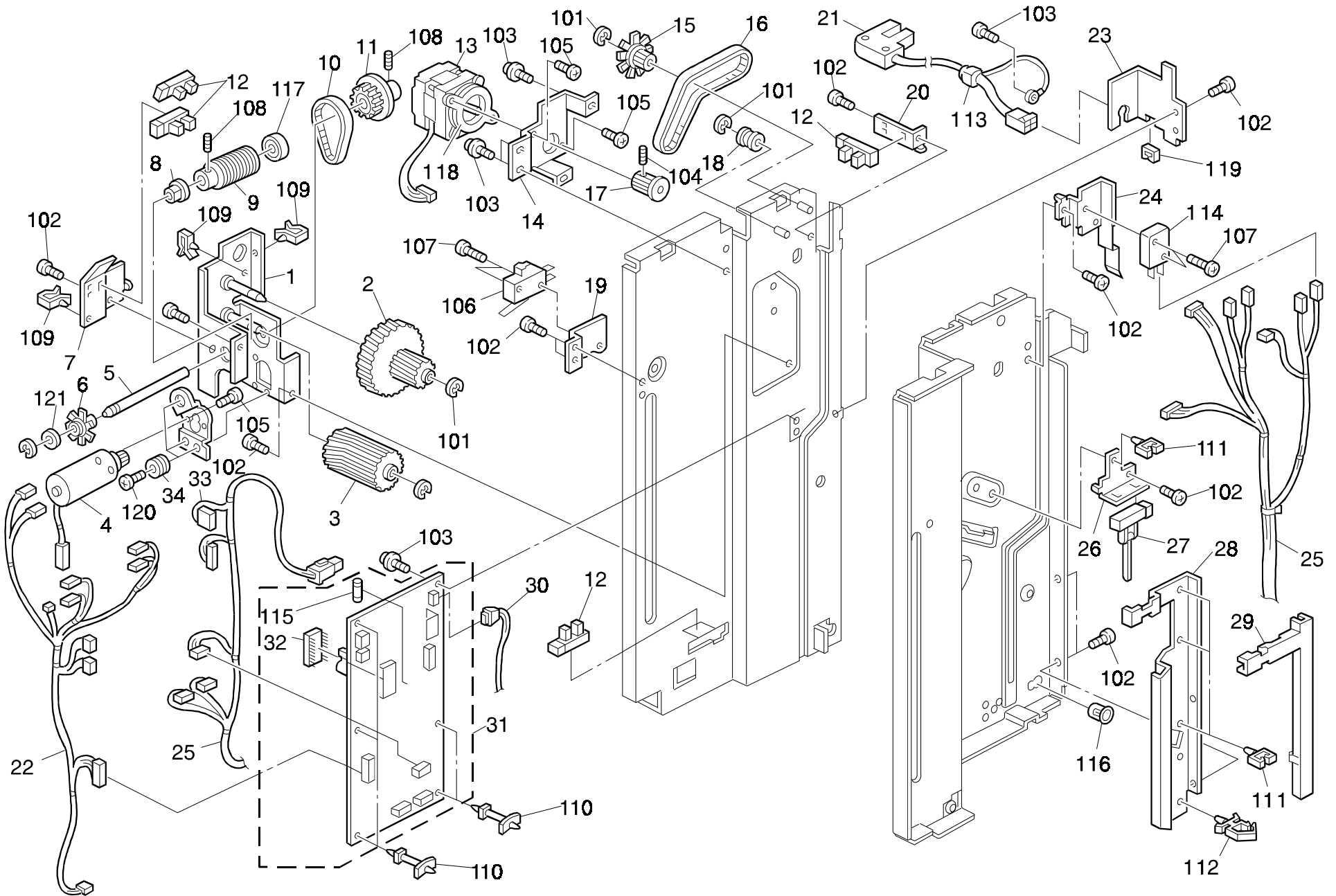
Index No.	Part No.	Description	Q'ty Per Assembly
1	A499 2444	Middle Belt Roller	6
2	AA06 3278	Spring	1
3	AA06 2279	Spring	2
4	A554 1161	Hinge Stopper Bracket	1
5	AA06 6235	Spring	1
6	A374 1146	Lower Stopper	1
7	5201 1796	Stepped Screw - M4	4
8	A554 2121	Upper Entrance Guide	1
9	A499 2445	Holder - Middle Belt Roller	6
10	AA06 2280	Spring	2
11	A554 2131	Lower Entrance Guide	1
12	A374 2134	Cushion	2
13	A554 2134	Gate Pawl Guide	1
14	5216 2113	Stepped Screw - Transfer	1
15	A374 1177	Lower Cushion	1
16	A374 1145	Lower Stay Bracket	1
17	A374 1186	Lower Hinge	1
18	A374 1191	Upper Hinge	1
19	A374 3562	Small Cover - Upper Sensor	1
20	AW02 0026	Upper Bin/jam Sensor	1
21	A374 3560	Large Cover - Upper Sensor	1
22	AA06 3239	Spring - Handle	1
23	A374 1625	Opening Handle Bracket	1
24	A554 1581	Release Lever Grip	1
25	AA14 3306	Stepped Screw - M6	1
			

Index No.	Part No.	Description	Q'ty Per Assembly
101	0344 0060F	Philips Truss Head Screw - M4x6	
102	0314 0040B	Philips Pan Head Screw - M4x4	
103	0313 0160B	Philips Pan Head Screw - M3x16	
104	1105 0234	Clamp	
105	0434 0060B	Philips Tapping Screw - M4x6	

4. VERTICAL TRANSPORT 2 (A554)



5. DRIVE AND ELECTRICAL SECTION (A554)

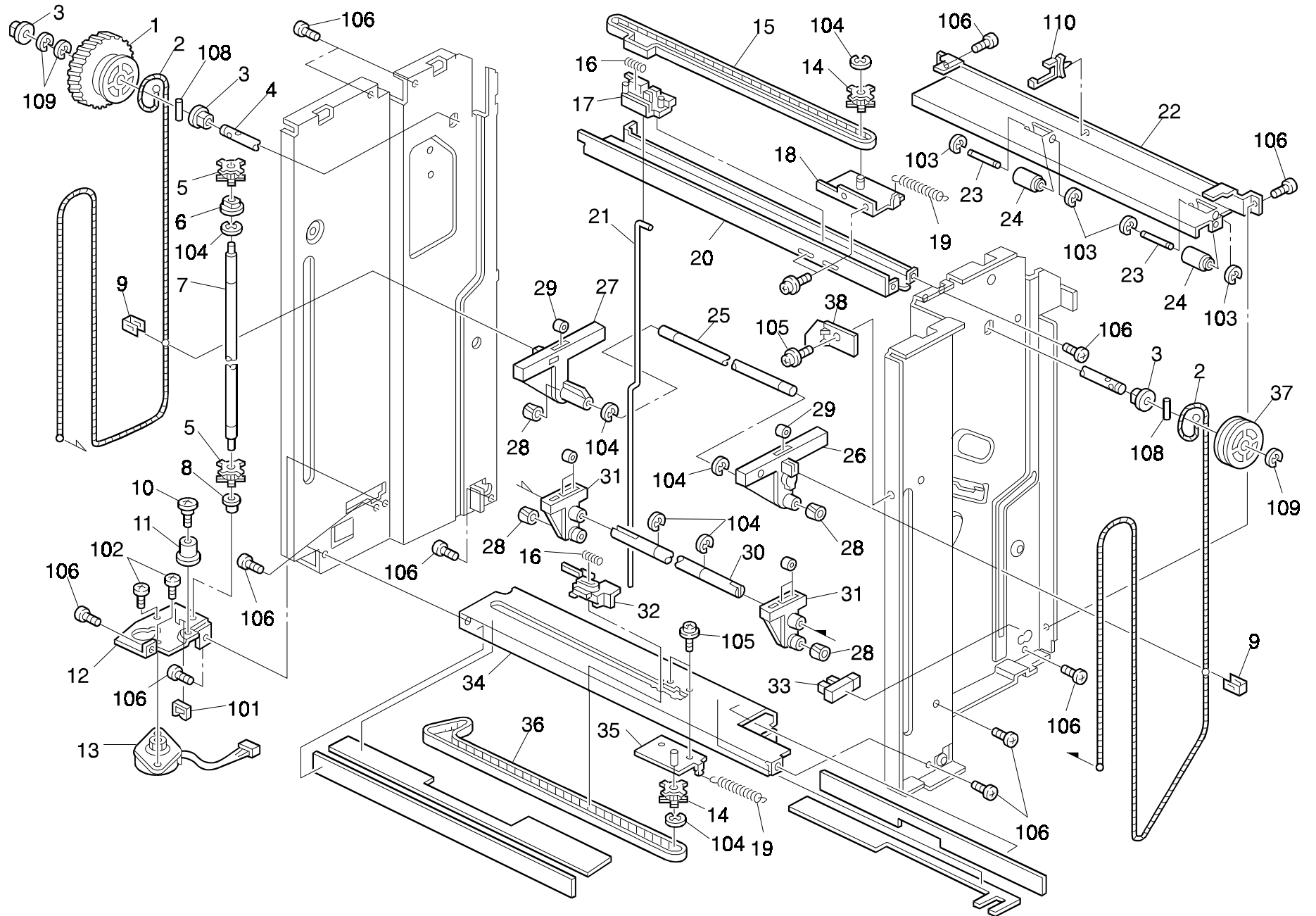


5.DRIVE AND ELECTRICAL SECTION (A554)

Index No.	Part No.	Description	Q'ty Per Assembly
1	A554 3111	Bin Drive Bracket	1
2	AB01 3731	Gear - 54Z	1
3	AB01 3730	Gear - 18Z	1
4	AX05 0074	DC Motor - 24V - 9.9W	1
5	A374 3120	Worm Gear Shaft	1
6	A374 3115	Encoder Disk	1
7	A374 3126	Bin Sensor Bracket	1
8	5053 0447	Bushing - 6mm	1
9	AB01 3709	Worm Gear	1
10	AA04 3203	Timing Belt - 77XL	1
11	AB03 0399	Pulley - 52Z	1
12	AW02 0021	Photointerruptor - 175487-3	6
13	AX05 0057	Stepping Motor - DC24V 3.84W	1
14	A374 2237	Stepping Motor Bracket	1
15	A554 2216	Encoder	1
16	AA04 3450	Timing Belt - 100XL	1
17	AB03 0497	Timing Pulley - 16Z	1
18	A374 2218	Pulley - 12M	1
19	A374 3187	Limit Switch Bracket - Upper	1
20	A374 2234	Encoder Sensor Bracket	1
21	A554 5270	Interface Harness	1
22	A554 5240	Bin Harness	1
23	A554 1198	Harness Bracket	1
24	A374 1195	Door Switch Bracket	1
25	A554 5200	Main Harness	1
26	A374 4711	Gripper Sensor Bracket	1
27	A374 5600	Photointerrupter - OS-580213-704	1
28	A374 1622	Bin Shaft Cover - Front	1
29	A374 1623	Harness Cover	1
30	AW03 0066	Optical Fiber - 500mm	1
31	A554 5100	Main Control Board	1
32	A554 5103	IC - 256K-X8-150NS	1
33	A554 3116	Motor Bracket	1
34	A351 4721	Drive Motor Grommet	1

Index No.	Part No.	Description	Q'ty Per Assembly
101	0720 0040E	Retaining Ring - M4	
102	0434 0060B	Philips Tapping Screw - M4x6	
103	0951 4006B	Philips Screw With Washer - M4x6	
104	0574 0030E	Hexagonal Set Screw - M4x3	
105	0313 0050B	Philips Pan Head Screw - M3x5	
106	1204 2233	Microswitch -AH715254N	
107	0313 0140B	Philips Pan Head Screw - M3x14	
108	0574 0040E	Hexagon Headless Set Screw - M4x4	
109	1105 0267	Wire Clamp	
110	1105 0163	Locking Support	
111	1105 0234	Clamp	
112	1105 0291	Wire Saddle	
113	1106 0250	Cord Stopper - 115V	
114	1204 2188	Interlock Switch	
115	1107 0748	Fuse - 2A, 250V	
116	1106 0241	Bushing - 6.7mm	
117	0740 3206	Ball Bearing - 6x19x6	
118	1005 0933	Cushion - Stepper Motor	
119	1105 0328	Harness Clamp - Es-0505	
120	0324 0100B	Philips Sunk Screw - M4x10	
121	0951 3006B	Philips Screw With Flat Washer - M3x6	

6. TRAY DRIVE SECTION (A554)

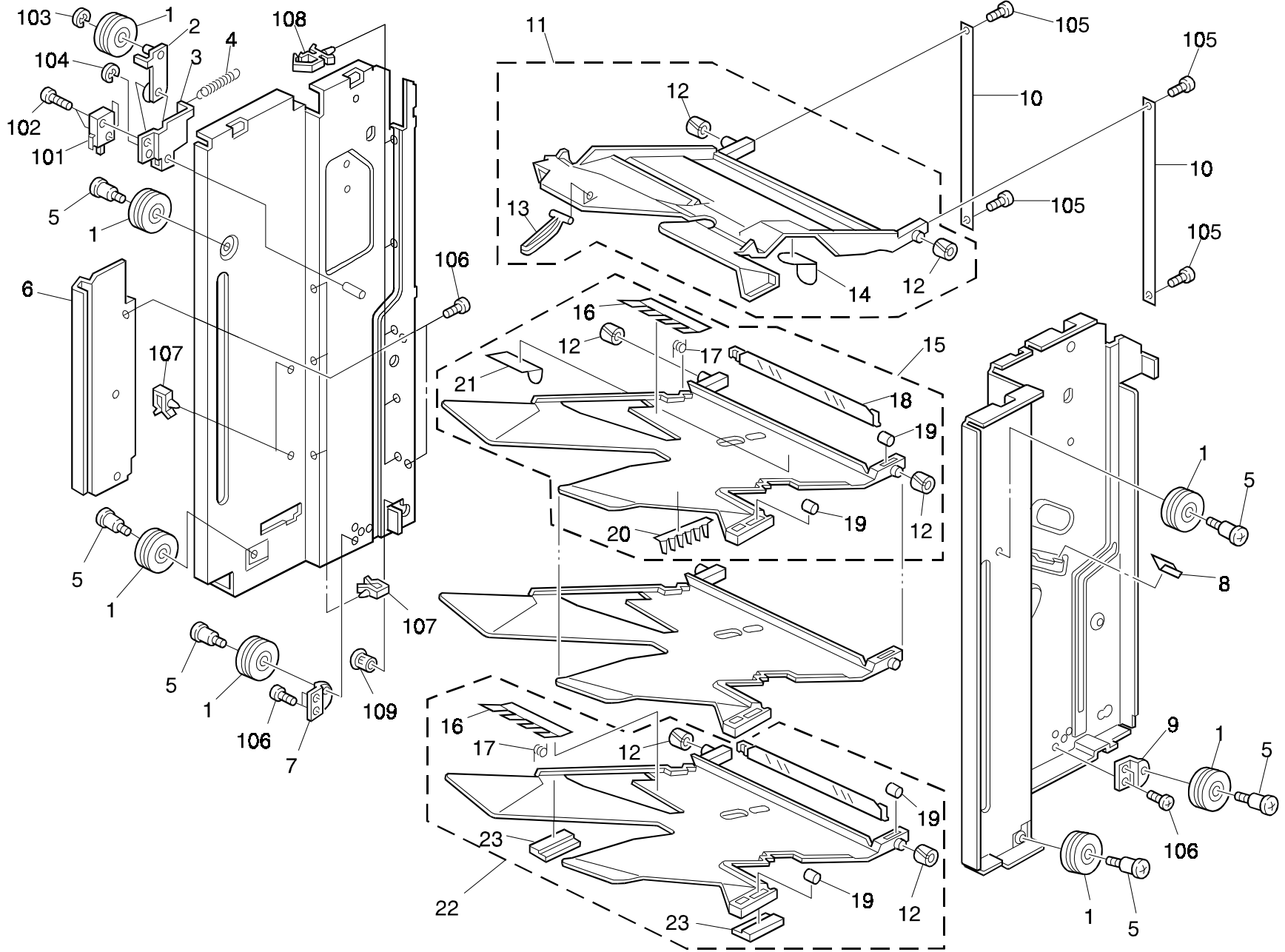


6. TRAY DRIVE SECTION (A554)

Index No.	Part No.	Description	Q'ty Per Assembly
1	AB01 7274	Gear - 54Z	1
2	AA05 0084	Wire - Bin - Upper Lower	2
3	5053 0419	Bushing - 10mm	3
4	A374 3131	Wire Drive Shaft	1
5	AB03 0389	Timing Pulley - Jogger - Drive	2
6	AA08 0142	Bushing - 5x10x4mm	1
7	A374 4124	Jogger Drive Shaft	1
8	AA08 0140	Bushing - 3x9x5mm	1
9	A374 3165	Bin Block Stopper	2
10	A469 3175	Idle Pulley Stud - Short	1
11	5887 4185	Idler Pulley	1
12	A374 4141	Jogger Motor Bracket	1
13	AX04 0057	Stepping Motor - DC24V 3.72W	1
14	AB03 0388	Pulley - 16Z	2
15	AA04 3204	Timing Belt - 211XL	2
16	AA06 3240	Jogger - Spring	2
17	A374 4171	Upper Jogger Holder	1
18	A374 4151	Jogger Tension Bracket - Upper	1
19	A421 2521	Spring - Paper Volume	2
20	A374 1131	Upper Jogger Stay	1
21	A374 4131	Jogger Shaft	1
22	A374 1136	Lower Stay	1
23	A374 1142	Shaft - Lower Stay Roller	2
24	A374 1141	Lower Stay Roller	2
25	A374 3160	Bin Block Shaft - Right	1
26	A374 3142	Bin Support Block - Right Front	1
27	A374 3146	Bin Support Block - Right Rear	1
28	A374 3525	Cam Roller	46
29	A374 3521	Bin Roller	86
30	A374 3163	Bin Block Shaft - Left	1
31	A374 3156	Bin Support Block - Left	2
32	A374 4181	Lower Jogger Holder	1
33	AW02 0021	Photointerruptor - 175487-3	6
34	A374 1132	Lower Jogger Stay	1
35	A374 4161	Lower Tension Bracket	1


Index No.	Part No.	Description	Q'ty Per Assembly
36	AA04 3204	Timing Belt - 211XL	2
37	AB03 2051	Wire Pulley - M26.5	1
38	A374 4617	Small Jogger Stopper	1
101	1105 0243	Wire Saddle	
102	0313 0050B	Philips Pan Head Screw - M3x5	
103	0720 0030E	Retaining Ring - M3	
104	0720 0040E	Retaining Ring - M4	
105	0951 4006B	Philips Screw With Washer - M4x6	
106	0434 0060B	Philips Tapping Screw - M4x6	
107	0951 4008B	Philips Screw With Washer - M4x8	
108	0633 0250G	Pin - M3x25	
109	0720 0080E	Retaining Ring - M8	
110	1105 0291	Wire Saddle	

7. COPY TRAY UNIT (A554)



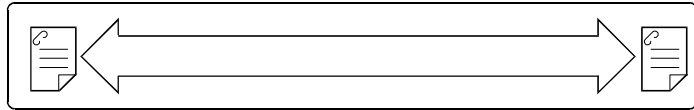
7.COPY TRAY UNIT (A554)

Index No.	Part No.	Description	Q'ty Per Assembly
1	AB03 2052	Wire Pulley - M22.8	7
2	A374 3191	Pulley Bracket	1
3	A374 3196	Limit Switch Bracket - Lower	1
4	AA06 0490	Limit Switch Spring	1
5	AA14 3404	Stepped Screw - M4	6
6	A374 1621	Bin Shaft Cover - Rear	1
7	A374 3179	Rear Pulley Bracket	1
8	A374 4562	Stapler Guide	1
9	A374 3176	Front Pulley Bracket	1
10	A374 3550	Bin Link	2
11	A554 3535	Support Bin Ass'y	1
12	A374 3525	Cam Roller	46
13	A374 3555	Paper Support Plate	1
14	A374 3522	Bin Support Film	1
15	A554 3505	Bin Ass'y	19
16	A554 3515	Bin Guide Mylar	20
17	AA06 6205	End Fence Spring	20
18	A374 3516	End Fence	1
19	A374 3521	Bin Roller	86
20	A374 3520	Paper Support Film	19
21	A374 3513	Pressure Guide Mylar	19
22	A554 3507	Lower Bin Ass'y	1
23	A374 3526	Bin Spacer	2

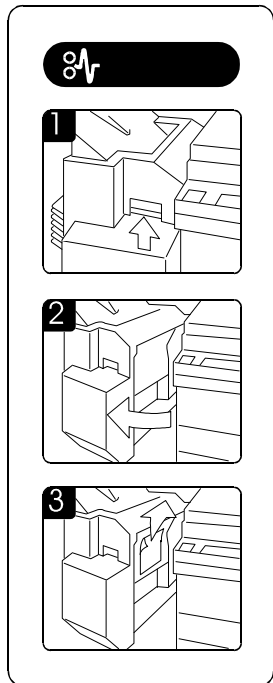
Index No.	Part No.	Description	Q'ty Per Assembly
101	1204 2234	Microswitch - AH735254N	
102	0313 0140B	Philips Pan Head Screw - M3x14	
103	0720 0060E	Retaining Ring - M6	
104	0720 0040E	Retaining Ring - M4	
105	0313 0050B	Philips Pan Head Screw - M3x5	
106	0434 0060B	Philips Tapping Screw - M4x6	
107	1105 0267	Wire Clamp	
108	1105 0291	Wire Saddle	
109	1106 0411	Bushing - 11.5mm	
			

8. DECAL AND DOCUMENT (A554)

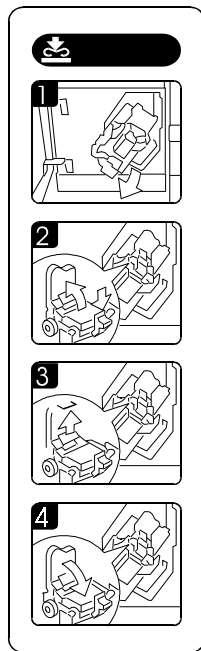
1



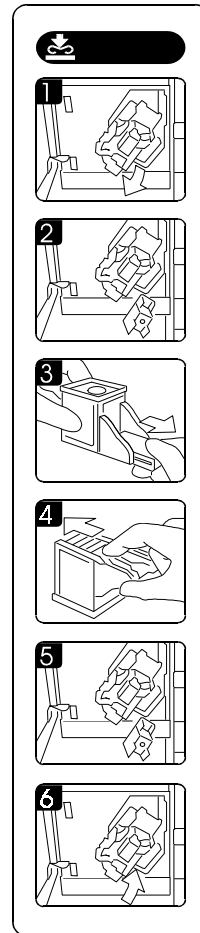
2



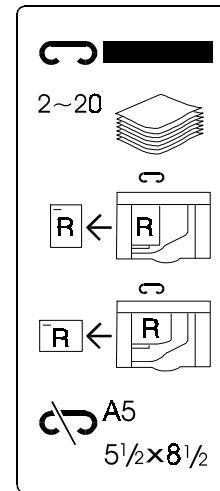
3



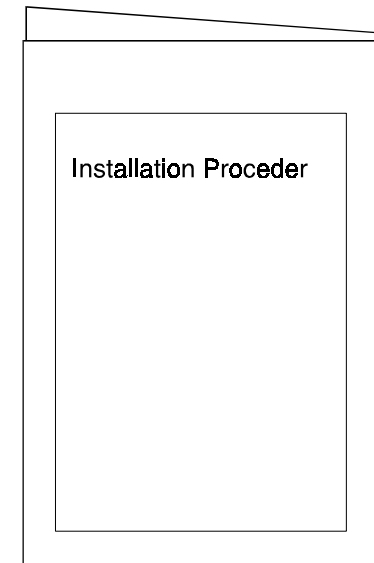
4



5



6



PARTS INDEX

Part No.	Description	Page and Index No.
A554 1161	Hinge Stopper Bracket	7- 4
A554 1198	Harness Bracket	11- 23
A554 1521	Front Cover	3- 10
A554 1531	Front Cover Cap	3- 12
A554 1541	Rear Cover	3- 1
A554 1561	Upper Cover	3- 4
A554 1571	Exit Tray	3- 2
A554 1581	Release Lever Grip	7- 24
A554 1591	Lower Harness Cover	3- 9
A554 1861	Decal - Misfeed Removal	3- 18
A554 1861	Decal - Misfeed Removal	17- 2
A554 1871	Decal - Stapler Misfeed	3- 20
A554 1871	Decal - Stapler Misfeed	17- 3
A554 1881	Decal - Staple Supply	3- 19
A554 1881	Decal - Staple Supply	17- 4
A554 2121	Upper Entrance Guide	7- 8
A554 2131	Lower Entrance Guide	7- 11
A554 2134	Gate Pawl Guide	7- 13
A554 2135	Exit Guide Plate	9- 11
A554 2141	Roller Bracket	9- 30
A554 2151	Transport Frame	9- 24
A554 2152	Solenoid Cover	9- 1
A554 2156	Solenoid Bracket	9- 39
A554 2161	Gate Pawl	9- 9
A554 2168	Solenoid Lever	9- 38
A554 2171	Vibrating Holder	9- 12
A554 2172	Vibrating Roller	9- 16
A554 2216	Encoder	11- 15
A554 2547	Paper Exit Belt	9- 17
A554 2548	Paper Exit Shaft	9- 18
A554 3111	Bin Drive Bracket	11- 1
A554 3116	Motor Bracket	11- 33
A554 3505	Bin Ass'y	15- 15
A554 3507	Lower Bin Ass'y	15- 22
A554 3515	Bin Guide Mylar	15- 16

Part No.	Description	Page and Index No
A554 3535	Support Bin Ass'y	15- 11
A554 5100	Main Control Board	11- 31
A554 5103	IC - 256K-X8-150NS	11- 32
A554 5200	Main Harness	11- 25
A554 5230	Transport Harness	9- 4
A554 5240	Bin Harness	11- 22
A554 5270	Interface Harness	11- 21
A554 5280	Grounding Harness	5- 33
A554 5280	Grounding Harness	9- 36
A554 8610	Installation Procedure	17- 5

Part No.	Description	Page and Index No.
AA04 3203	Timing Belt - 77XL	11- 10
AA04 3204	Timing Belt - 211XL	13- 15
AA04 3204	Timing Belt - 211XL	13- 36
AA04 3205	Timing Belt - 83XL	5- 7
AA04 3362	Timing Belt - B40S2M520	9- 27
AA04 3450	Timing Belt - 100XL	11- 16
AA05 0084	Wire - Bin - Upper Lower	13- 2
AA06 0490	Limit Switch Spring	15- 4
AA06 0491	Upper Pawl Spring	5- 18
AA06 0492	Jogger Stopper Spring	5- 27
AA06 0611	Spring	9- 35
AA06 2277	Spring	9- 37
AA06 2278	Spring	9- 40
AA06 2279	Spring	7- 3
AA06 2280	Spring	7- 10
AA06 2281	Spring	9- 13
AA06 3239	Spring - Handle	7- 22
AA06 3240	Jogger - Spring	13- 16
AA06 3278	Spring	7- 2
AA06 6196	Tension Spring	9- 34
AA06 6197	Lower Pawl Spring	5- 15
AA06 6198	Proof Lever Spring	3- 5
AA06 6205	End Fence Spring	15- 17
AA06 6235	Spring	7- 5
AA08 0030	Bushing - 5x13x7	9- 29
AA08 0071	Bushing -6x10x6	9- 6
AA08 0072	Bushing - 6x10x3	5- 31
AA08 0074	Bushing - 4x6x6	5- 34
AA08 0140	Bushing - 3x9x5mm	13- 8
AA08 0141	Bushing - 5x12x4mm	9- 25
AA08 0142	Bushing - 5x10x4mm	13- 6
AA08 2042	Bushing - 6x10x6.5mm	5- 30
AA12 0052	Antistatic Brush - 62mm	9- 15
AA12 0053	Antistatic Brush - 112mm	9- 14
AA12 0055	Antistatic Brush - 367mm	3- 3

Part No.	Description	Page and Index No
AA14 3062	Shoulder Screw - M4	5- 36
AA14 3306	Stepped Screw - M6	7- 25
AA14 3404	Stepped Screw - M4	15- 5
AB01 1142	Gear - 59Z	5- 8
AB01 3709	Worm Gear	11- 9
AB01 3730	Gear - 18Z	11- 3
AB01 3731	Gear - 54Z	11- 2
AB01 7273	Sprocket/gear - 16/20Z	9- 28
AB01 7274	Gear - 54Z	13- 1
AB01 7275	Coupled Gear - 20/48Z	5- 9
AB03 0388	Pulley - 16Z	13- 14
AB03 0389	Timing Pulley - Jogger - Drive	13- 5
AB03 0399	Pulley - 52Z	11- 11
AB03 0497	Timing Pulley - 16Z	11- 17
AB03 0498	Timing Pulley - 27Z	9- 23
AB03 2051	Wire Pulley - M26.5	13- 37
AB03 2052	Wire Pulley - M22.8	15- 1
AF02 0270	Upper Exit Roller	9- 26
AF02 0272	Relay Roller	9- 5
AF02 0323	Lower Exit Roller	9- 19
AJ01 1005	Stapler Unit	5- 5
AW02 0021	Photointerruptor - 175487-3	5- 20
AW02 0021	Photointerruptor - 175487-3	11- 12
AW02 0021	Photointerruptor - 175487-3	13- 33
AW02 0025	Lower Bin/jam Sensor	3- 15
AW02 0026	Upper Bin/jam Sensor	7- 20
AW02 0049	Photointerruptor - OS - 580213-703	9- 3
AW03 0066	Optical Fiber - 500mm	11- 30
AX04 0056	Stepping Motor - DC9.5V 9.0W	5- 12
AX04 0057	Stepping Motor - DC24V 3.72W	13- 13
AX05 0057	Stepping Motor - DC24V 3.84W	11- 13
AX05 0074	DC Motor - 24V - 9.9W	11- 4
AX11 0035	Solenoid - 24V 4.6W	9- 22

Part No.	Description	Page and Index No.
A351 4721	Drive Motor Grommet	11- 34
A374 1131	Upper Jogger Stay	13- 20
A374 1132	Lower Jogger Stay	13- 34
A374 1136	Lower Stay	13- 22
A374 1141	Lower Stay Roller	13- 24
A374 1142	Shaft - Lower Stay Roller	13- 23
A374 1145	Lower Stay Bracket	7- 16
A374 1146	Lower Stopper	7- 6
A374 1177	Lower Cushion	7- 15
A374 1186	Lower Hinge	7- 17
A374 1191	Upper Hinge	7- 18
A374 1195	Door Switch Bracket	11- 24
A374 1611	Hinge - Front Cover Cap	3- 11
A374 1621	Bin Shaft Cover - Rear	15- 6
A374 1622	Bin Shaft Cover - Front	11- 28
A374 1623	Harness Cover	11- 29
A374 1625	Opening Handle Bracket	7- 23
A374 1855	Decal - Staple Position	3- 17
A374 1855	Decal - Staple Position	17- 1
A374 2134	Cushion	7- 12
A374 2141	Plate Spring - Upper Cover	3- 7
A374 2147	Exit Roller Guide	3- 21
A374 2181	Spacer	9- 7
A374 2182	Bracket - Upper Exit Sensor	9- 2
A374 2183	Bracket - Lower Exit Sensor	9- 8
A374 2190	Tightener Bracket	9- 31
A374 2200	Tension Arm	9- 33
A374 2207	Pulley - 12M	9- 32
A374 2218	Pulley - 12M	11- 18
A374 2234	Encoder Sensor Bracket	11- 20
A374 2237	Stepping Motor Bracket	11- 14
A374 2251	Proof Lever	3- 6
A374 2331	Bin Supportor	9- 21
A374 2541	Exit Roller	9- 20
A374 3115	Encoder Disk	11- 6

Part No.	Description	Page and Index No
A374 3120	Worm Gear Shaft	11- 5
A374 3126	Bin Sensor Bracket	11- 7
A374 3131	Wire Drive Shaft	13- 4
A374 3142	Bin Support Block - Right Front	13- 26
A374 3146	Bin Support Block - Right Rear	13- 27
A374 3156	Bin Support Block - Left	13- 31
A374 3160	Bin Block Shaft - Right	13- 25
A374 3163	Bin Block Shaft - Left	13- 30
A374 3165	Bin Block Stopper	13- 9
A374 3176	Front Pulley Bracket	15- 9
A374 3179	Rear Pulley Bracket	15- 7
A374 3187	Limit Switch Bracket - Upper	11- 19
A374 3191	Pulley Bracket	15- 2
A374 3196	Limit Switch Bracket - Lower	15- 3
A374 3513	Pressure Guide Mylar	15- 21
A374 3516	End Fence	15- 18
A374 3520	Paper Support Film	15- 20
A374 3521	Bin Roller	13- 29
A374 3521	Bin Roller	15- 19
A374 3522	Bin Support Film	15- 14
A374 3525	Cam Roller	13- 28
A374 3525	Cam Roller	15- 12
A374 3526	Bin Spacer	15- 23
A374 3550	Bin Link	15- 10
A374 3555	Paper Support Plate	15- 13
A374 3560	Large Cover - Upper Sensor	7- 21
A374 3562	Small Cover - Upper Sensor	7- 19
A374 3570	Sensor Cover	3- 14
A374 4124	Jogger Drive Shaft	13- 7
A374 4131	Jogger Shaft	13- 21
A374 4141	Jogger Motor Bracket	13- 12
A374 4151	Jogger Tension Bracket - Upper	13- 18
A374 4161	Lower Tension Bracket	13- 35
A374 4171	Upper Jogger Holder	13- 17
A374 4181	Lower Jogger Holder	13- 32

Part No.	Description	Page and Index No.
A374 4521	Stapler Bracket	5- 1
A374 4522	Stapler Rotation Brackdt	5- 4
A374 4531	Stapler Plate	5- 3
A374 4551	Stapler Cover	5- 6
A374 4556	Safety Switch Actuator	3- 13
A374 4562	Stapler Guide	15- 8
A374 4611	Gripper Brackdt	5- 26
A374 4616	Jogger Stopper	5- 28
A374 4617	Small Jogger Stopper	13- 38
A374 4621	Large Side Plate	5- 29
A374 4631	Small Side Plate	5- 10
A374 4636	Drive Shaft	5- 24
A374 4641	Cam Follower	5- 17
A374 4656	Lower Gripper Arm	5- 16
A374 4658	Upper Girpper Arm	5- 14
A374 4667	Drive Cam	5- 23
A374 4681	Gripper Shaft	5- 11
A374 4684	Connector Holder	5- 25
A374 4688	Gripper Connector Cushion	5- 21
A374 4711	Gripper Sensor Bracket	11- 26
A374 5215	Gripper Harness	5- 19
A374 5220	Gripper Relay Harness	5- 22
A374 5250	Relay Harness - Bin Sensor	3- 8
A374 5260	Grounding Harness	5- 37
A374 5600	Photointerrupter - OS-580213-704	11- 27
A421 2521	Spring - Paper Volume	13- 19
A469 3175	Idle Pulley Stud - Short	13- 10
A498 2266	Cushion - 8x40	3- 16
A499 2444	Middle Belt Roller	7- 1
A499 2445	Holder - Middle Belt Roller	7- 9
A555 1850	Decal - Staple Position	17- 6
5053 0419	Bushing - 10mm	13- 3
5053 0447	Bushing - 6mm	11- 8
5054 0536	Magnet Catch Ass'y	5- 2
5201 1796	Stepped Screw - M4	5- 32

Part No.	Description	Page and Index No
5201 1796	Stepped Screw - M4	7- 7
5216 2113	Stepped Screw - Transfer	7- 14
5409 1238	Rotary Catch	5- 13
5442 1659	Stepped Screw - M4	5- 35
5447 2681	Snap Ring	9- 10
5887 4185	Idler Pulley	13- 11

Part No.	Description	Page and Index No.
0313 0040B	Philips Pan Head Screw - M3x4	9-105
0313 0050B	Philips Pan Head Screw - M3x5	5-109
0313 0050B	Philips Pan Head Screw - M3x5	11-105
0313 0050B	Philips Pan Head Screw - M3x5	13-102
0313 0050B	Philips Pan Head Screw - M3x5	15-105
0313 0080B	Philips Pan Head Screw - M3x8	5-108
0313 0140B	Philips Pan Head Screw - M3x14	5-113
0313 0140B	Philips Pan Head Screw - M3x14	11-107
0313 0140B	Philips Pan Head Screw - M3x14	15-102
0313 0160B	Philips Pan Head Screw - M3x16	3-102
0313 0160B	Philips Pan Head Screw - M3x16	7-103
0314 0040B	Philips Pan Head Screw - M4x4	7-102
0324 0100B	Philips Sunk Screw - M4x10	11-120
0344 0060F	Philips Truss Head Screw - M4x6	3-106
0344 0060F	Philips Truss Head Screw - M4x6	7-101
0344 0080F	Philips Truss Head Screw - M4x8	3-107
0413 0082W	Tapping Screw - M3x8	5-114
0434 0060B	Philips Tapping Screw - M4x6	3-104
0434 0060B	Philips Tapping Screw - M4x6	5-107
0434 0060B	Philips Tapping Screw - M4x6	7-105
0434 0060B	Philips Tapping Screw - M4x6	11-102
0434 0060B	Philips Tapping Screw - M4x6	13-106
0434 0060B	Philips Tapping Screw - M4x6	15-106
0434 0122W	Pan Head Self-tapping Screw - M4x12	9-106
0434 0200B	Pan Head Self-tapping Screw - M4x20	3-101
0574 0030E	Hexagonal Set Screw - M4x3	11-104
0574 0040E	Hexagon Headless Set Screw - M4x4	11-108
0623 0100E	Spring Pin - 3x10mm	9-104
0632 0140G	Parallel Pin	5-105
0633 0250G	Pin - M3x25	13-108
0710 0050B	Hexagon Nut - M5	3-108
0720 0025E	Retaining Ring - M2.5	5-102
0720 0030E	Retaining Ring - M3	9-102
0720 0030E	Retaining Ring - M3	13-103
0720 0040E	Retaining Ring - M4	3-105

Part No.	Description	Page and Index No
0720 0040E	Retaining Ring - M4	5-103
0720 0040E	Retaining Ring - M4	9-101
0720 0040E	Retaining Ring - M4	11-101
0720 0040E	Retaining Ring - M4	13-104
0720 0040E	Retaining Ring - M4	15-104
0720 0060E	Retaining Ring - M6	15-103
0720 0080E	Retaining Ring - M8	5-101
0720 0080E	Retaining Ring - M8	13-109
0740 3206	Ball Bearing - 6x19x6	11-117
0950 4006B	Screw - M4X6	5-115
0950 4006B	Screw - M4X6	9-103
0951 3006B	Philips Screw With Flat Washer - M3x6	11-121
0951 4006B	Philips Screw With Washer - M4x6	5-104
0951 4006B	Philips Screw With Washer - M4x6	11-103
0951 4006B	Philips Screw With Washer - M4x6	13-105
0951 4008B	Philips Screw With Washer - M4x8	3-103
0951 4008B	Philips Screw With Washer - M4x8	13-107
1005 0933	Cushion - Stepper Motor	11-118
1105 0163	Locking Support	11-110
1105 0234	Clamp	5-112
1105 0234	Clamp	7-104
1105 0234	Clamp	11-111
1105 0243	Wire Saddle	13-101
1105 0267	Wire Clamp	11-109
1105 0267	Wire Clamp	15-107
1105 0291	Wire Saddle	11-112
1105 0291	Wire Saddle	13-110
1105 0291	Wire Saddle	15-108
1105 0310	Wire Clamp	5-106
1105 0328	Harness Clamp - ES-0505	11-119
1106 0241	Bushing - 6.7mm	5-111
1106 0241	Bushing - 6.7mm	11-116
1106 0250	Cord Stopper - 115V	11-113
1106 0411	Bushing - 11.5mm	15-109
1107 0748	Fuse - 2A, 250V	11-115

Part No.	Description	Page and Index No.
1204 2188	Interlock Switch	5-110
1204 2188	Interlock Switch	11-114
1204 2233	Microswitch -AH715254N	11-106
1204 2234	Microswitch - AH735254N	15-101

Part No.	Description	Page and Index No

RICOH ST26 (A554)